



# ACC-0097 Dual Port USB Outlet Installation Instructions

## Contents of ACC-0097 Kit

- a Dual Port USB Charger
- b Water-Resistant Rubber Cap
- c Flat Panel Cover
- d Retaining Nut
- e Mounting Screws



## Tools Required for Installation

- Phillips Screwdriver
- Drill
- 1-1/8" Hole Saw with Pilot Hole Bit

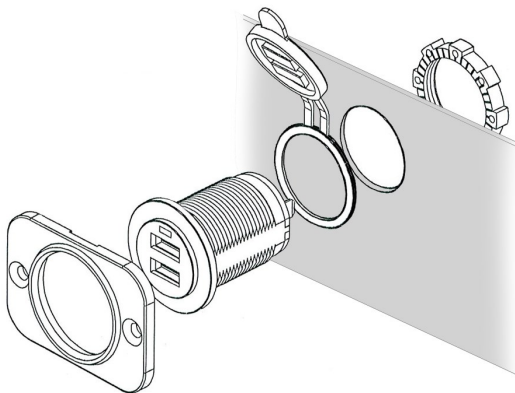
**Caution:** This accessory is designed for 12V DC operation only. Operating this kit at a higher voltage will void any and all warranties.

## Before You Start

1. If the vehicle is ON, turn the key to the OFF position.
2. Electric Carts: Place the TOW/RUN switch in the TOW position.
3. Remove the vehicle's positive & negative connections from the battery/battery pack.
4. Engage the parking brake.

## Dual Port USB Outlet Installation

1. Find a convenient location to mount the outlet. Mounting locations will vary depending on the vehicle. Mark the center of the mounting location with a marking device.
2. Using a 1-1/8" hole saw (maximum size), drill a hole at the marked location.
3. Insert the Dual USB Outlet through the protective cap and into the mounting area as shown. Secure it with the retaining nut making sure all parts are oriented correctly.
4. If desired, mount the flat panel cover over the outlet with the Included Mounting Screws.

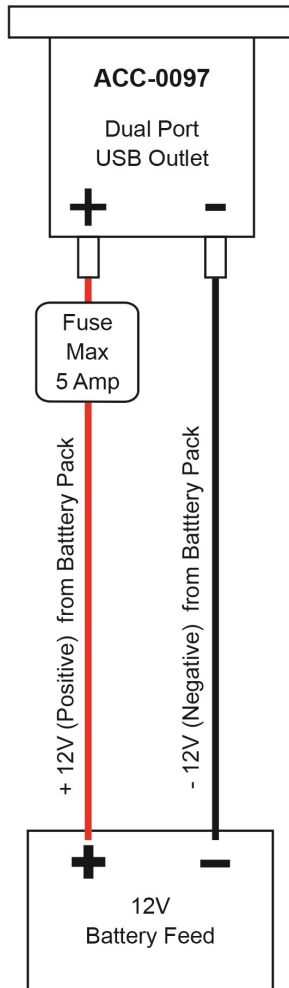


5. Use (2) spade connectors (not included) to connect your wires to the back of the outlet. Connect the positive (+) wire to the positive (+) terminal and the negative (-) wire to the negative (-) terminal. Terminals are marked positive (+) and negative (-).

**CAUTION:** Connecting the wires to the wrong terminals will damage the outlet.

**NOTE:** A fuse holder (ACC-0019) and a 5A fuse are recommended if connecting the outlet directly to a 12V battery, voltage reducer or accessory connections on a light kit harness.

The dual port USB outlet has an indicator light that will produce a small draw on the battery/battery pack. It is recommended to install a toggle switch to power the outlet off when not in use. For easier installation, wiring kit (LGT-791) can be purchased separately. The LGT-791 includes a toggle switch, fuse and all necessary wires and connectors.



Your Dual Port USB Outlet is now complete.  
Please enjoy your safely!