



# Scorecard Holder ACC-SW30 Installation Instructions

## Specifications

Designed for RHOX 6-hole custom steering wheels.  
Steering wheels sold separately.

## Tools Needed for Installation

- 3mm Allen Wrench

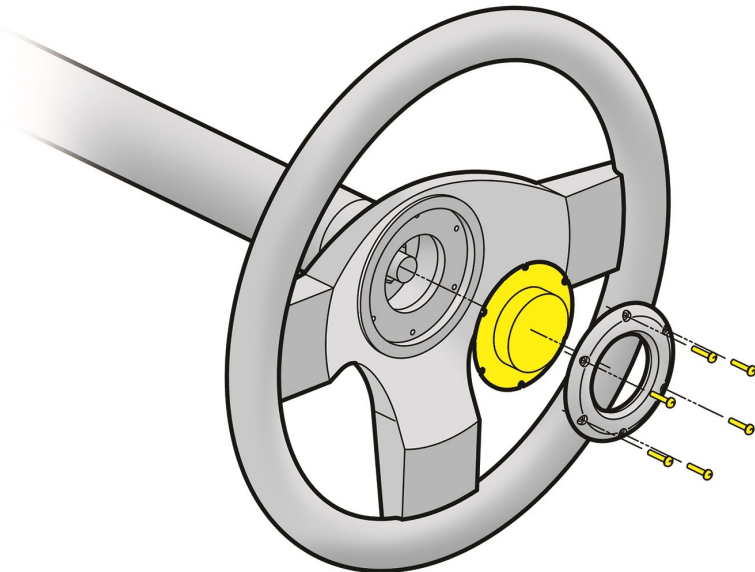
## Before You Start

1. Turn the key to the OFF position.
2. Place the TOW/RUN switch in TOW (if equipped).
3. Engage the parking brake.
4. Straighten the steering wheel.

## Installation Instructions

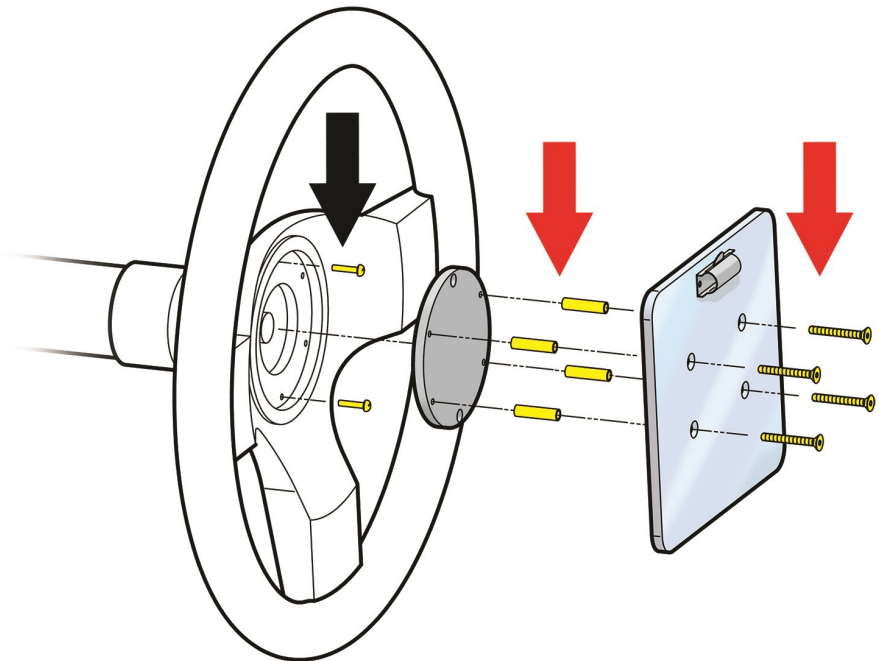
1. Remove the center button (shown in yellow) from the RHOX custom steering wheel by removing the collar. Retain hardware. Discard center button and collar.

**NOTE:** Depending on the style of steering wheel, the center button could be in front or behind the steering wheel itself.



2. With the steering wheel centered, reattach it to the adapter using (2) Socket Head Cap Screws removed in Step 1. Fasten the screws in the top and bottom mounting holes only (black arrow). Hand tighten.
3. Place the black circular plate in the center of the steering wheel. The (2) larger holes in the plate will align with the hardware from Step 2.
4. Fasten the scorecard holder and plate to the steering wheel as shown using (4) Spacers and (4) Countersunk Bolts (red arrows). Hand tighten.

**NOTE:** The kit includes (4) shorter and (4) longer countersunk bolts. The RHOX Aviator 4 style steering wheels will use the longer bolts. All others will use the shorter bolts.



This completes the installation of your scorecard holder.  
Please enjoy safely!

Scan QR code or use the link below to view the installation video.  
<https://vimeo.com/user39935056>

