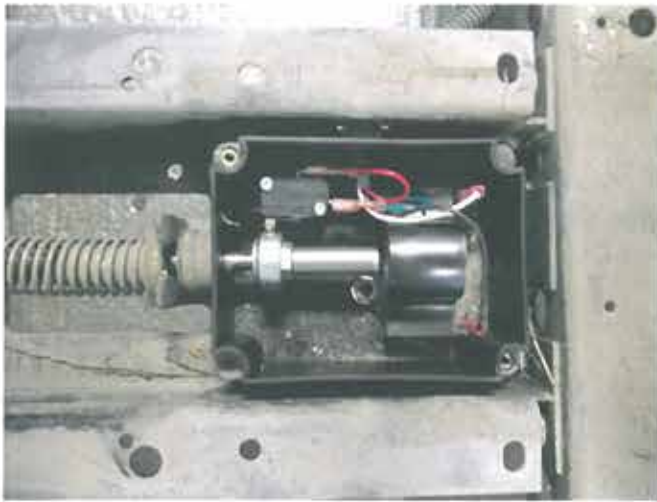


**REDHAWK**  
**4-PASSENGER STRETCH BOLT-ON**  
**Part# RH080ETBOE**  
**Electric - E-Z-GO - TXT**  
**INSTALLATION INSTRUCTIONS**



TITLE:			RH080ETBOE INSTALLATION INSTRUCTIONS	
DRAWN BY:	DATE:	DWG NO.		
R. HAERER	Jan 23, 2017	# 7667		
SHEET:	SCALE:			
1 of 14	Not To Scale			

**STEP 2**



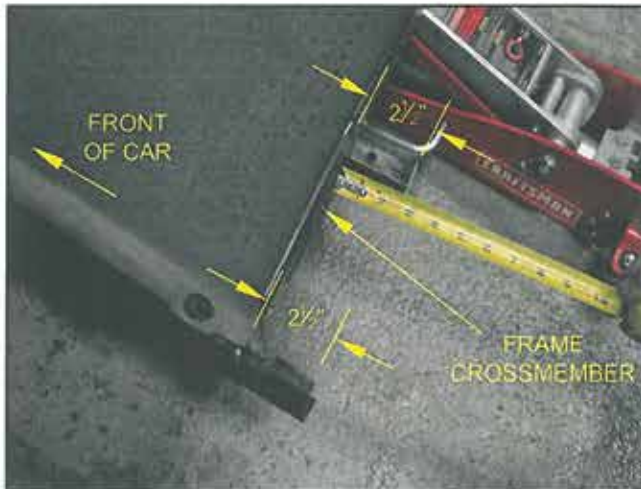
**STEP 3**



**CAN RESULT IN SEVERE PERSONAL INJURY**  
Do not operate from Driver's side only  
Use of Drugs or Alcohol  
While vehicle is in motion, move direction sets



**STEP 5**



**STEP 1:**

\*Save ALL OEM Hardware for later use.\*

Remove the top.  
Remove the seat bottom and seat back basket assembly.  
Disconnect and Remove the batteries. (Label connections)  
Remove both side trim pieces from the car.  
Remove front floor mat.  
Drill metal rivets, remove plastic push pins & rear body from car.  
Completely remove the brake rod, detach brake cables from the front of car (Leave connected to OEM equalizer).

**STEP 2:**

Open Accelerator access panel in floor and disconnect wiring (Label connections) Remove wires from Accelerator box and pull to rear of car.

**STEP 3:**

Remove plastic rivets from Ignition switch plate in dash.  
Disconnect All wires in dash labeling connections. Pull wires to rear of car.

**STEP 4:**

Remove battery tray & both side trays from car.

**STEP 5:**

\*Cutting the car in Half\*

Measure back 2 1/2" from the frame cross member and mark. Square and mark line across frame and side rail.  
Place jack stands under each half of car to support it.  
Cut only the side rails and frame of car along marks.

Do Not Cut Battery Tray or Side Tray Angles!

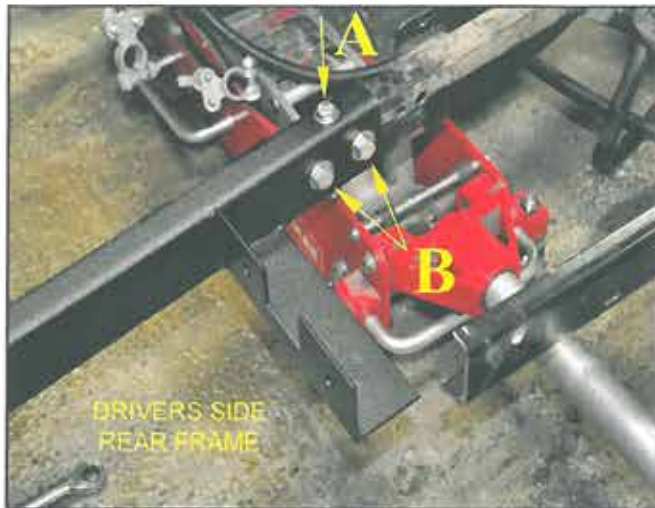
Pull the 2 halves of the car apart, check that cuts are stright & square, grind all edges of cuts making them smooth.



TITLE: <b>RH080ETBOE INSTALLATION INSTRUCTIONS</b>		
DRAWN BY: R. HAERER	DATE: Jan 23, 2017	DWG NO. # 7667
SHEET: 2 of 14	SCALE: Not To Scale	



**STEP 6**

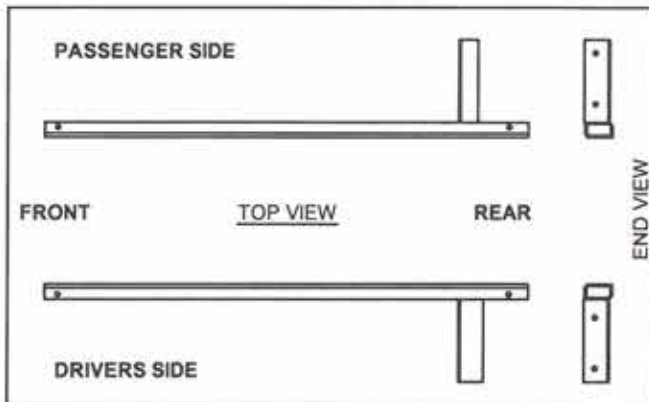


**STEP 6:**

Slide the new Steel Frame Extension onto the rear frame of the car. Press the Frame Extension all the way in so it hits the inside tube frame tube. Clamp in place, and Drill (1)- $\frac{1}{32}$ " hole down through the top of the frame on each side at (Location A). Attach using: (2)-  $\frac{5}{16}$ " x 3" Hex Head Bolts, (4)-  $\frac{5}{16}$ " Flatwashers, (2)-  $\frac{5}{16}$ " Locknuts. (Use Grade 8 bolts.)

On the side of the rear frame, Drill (2)- $\frac{1}{32}$ " holes through the frame at (Location B). Repeat for other side. Attach using: (4)-  $\frac{3}{8}$ " x 2" Hex Head Bolts, (8)-  $\frac{3}{8}$ " Flatwashers, (4)-  $\frac{3}{8}$ " Locknuts. (Use Grade 8 bolts.)

Do NOT tighten bolts at this time!



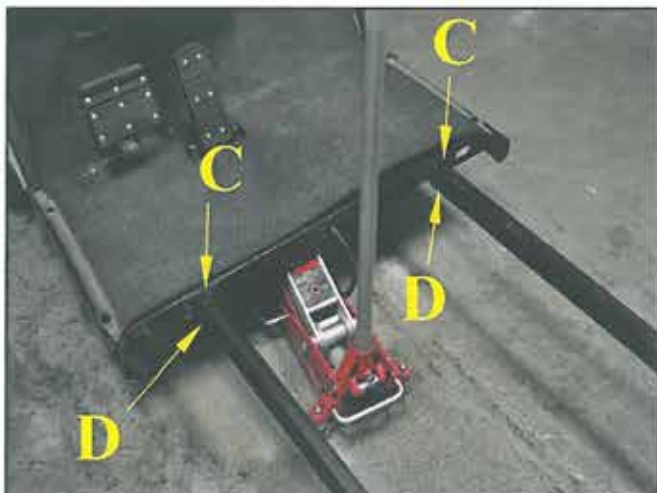
**STEP 7:**

Slide the new Steel Frame Extension onto the front frame of the car. Press the Frame Extension all the way in so it hits the inside tube frame tube. Clamp in place, and Drill (1)- $\frac{1}{32}$ " hole down through the top of the frame on each side at (Location C) attach using: (2)-  $\frac{5}{16}$ " x 3" Hex Head Bolts, (4)-  $\frac{5}{16}$ " Flatwashers, (2)-  $\frac{5}{16}$ " Locknuts. (Use Grade 8 bolts.)

On the side of the front frame, Drill (1)- $\frac{1}{32}$ " holes through the frame at (Location D). Repeat for the other side. Attach using: (2)-  $\frac{3}{8}$ " x 2" Hex Head Bolts, (4)-  $\frac{3}{8}$ " Flatwashers, (2)-  $\frac{3}{8}$ " Locknuts. (Use Grade 8 bolts.)

Square & Level Frame and tighten all bolts.  
Remove the car from the jack stands.

**STEP 7**



**OPTIONAL STEP 7B:**

To improve the EZ-GO TXT front suspension, weld all seams joining the frame extensions to the OEM frame with frame Level & Square.



TITLE:		
RH080ETBOE INSTALLATION INSTRUCTIONS		
DRAWN BY: R. HAERER	DATE: Jan 23, 2017	DWG NO.
SHEET: 3 of 14	SCALE: Not To Scale	# 7667

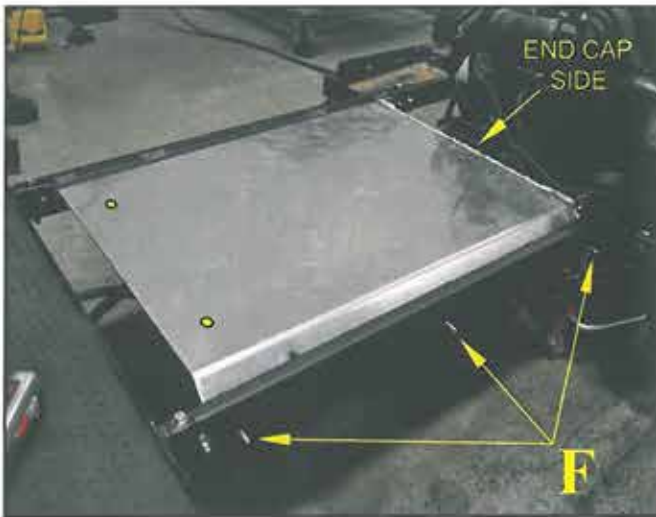
**STEP 8**



**STEP 8:**

Re-install the Side Trays to the car frame. Use OEM bolts at the rear of the trays. Attach the front of trays to frame extension Angles using: (4)-  $\frac{5}{16}$ " x 1" Hex Head Bolts, (8)-  $\frac{5}{16}$ " Flat washers, (4)-  $\frac{5}{16}$ " Locknuts.

**STEP 9**



**STEP 9:**

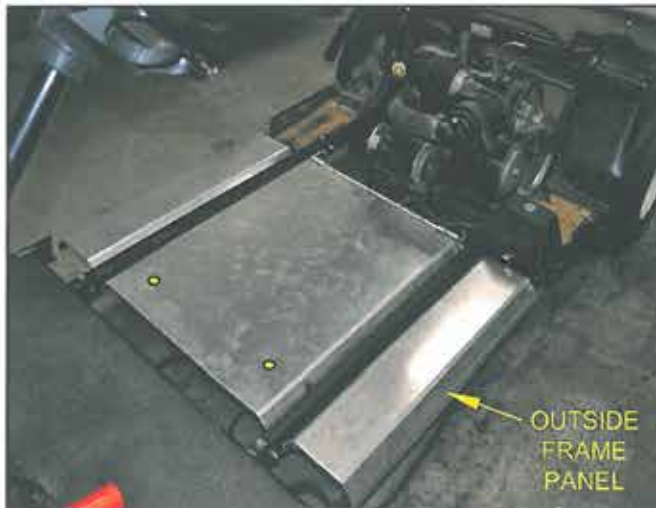
Install the Center Frame Floor Insert. Place it between the two Frame Extensions with the end cap side at the rear of the car.

Place bolts from the inside at (Location F) using: (6)-  $\frac{5}{16}$ " x 2 $\frac{1}{2}$ " Hex Head Bolts, (6)-  $\frac{5}{16}$ " Flatwashers (Use Grade 8 bolts.)

Do NOT secure at this time!

\*Start with hole at rear first.

**STEP 10**



**STEP 10:**

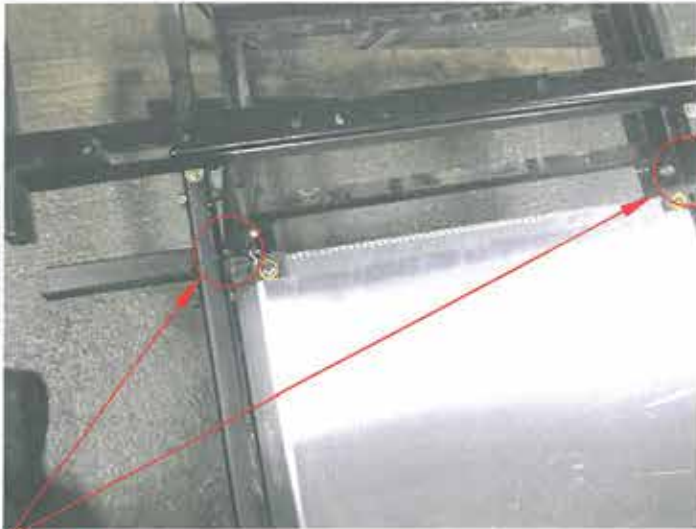
Secure the Outside Frame Panels to each of the sides of the frame. Secure with the bolts exposed through the frame at (Location F).

Use: (6) Grade 8 -  $\frac{5}{16}$ " Flat washers, (6)-  $\frac{5}{16}$ " Locknuts.

TITLE:		
RH080ETBOE INSTALLATION INSTRUCTIONS		
DRAWN BY:	DATE:	DWG NO.
R. HAERER	Jan 23, 2017	# 7667
SHEET:	SCALE:	
4 of 14	Not To Scale	



**STEP 11**

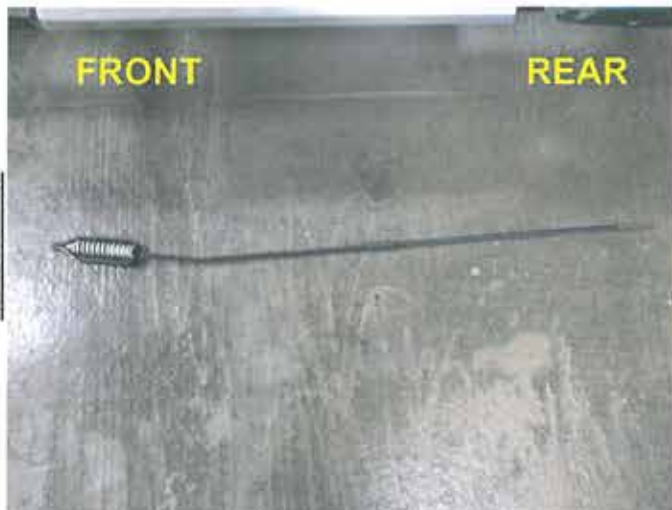


**STEP 11:**

Re-install battery tray. At rear frame location use OEM bolts. Secure the front battery tray Angles to the rear of the mid Sub floor by drilling (2)  $\frac{3}{16}$ " pilot holes using tray Angles as guides. Secure to sub floor through pilot holes with :  
(2)- $\frac{1}{4}$ " x  $\frac{1}{4}$ " Phillips Pan Head Sheet Metal Screws , (ss)  
(2)- $\frac{1}{4}$ " Flat Washers . (ss)

\* **NOTE:** You may need to grind the outer edges of Body's Front Support to fit inside new Frame Runners!

**STEP 12**



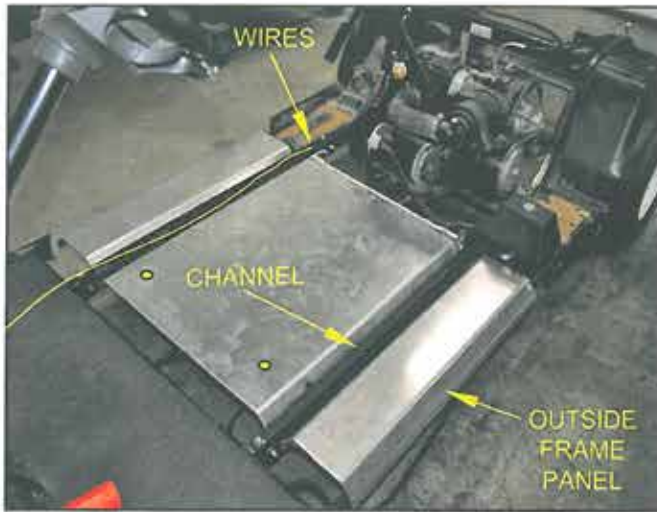
**STEP 12:**

Install front of Brake cables to mid sub floor at provided notches using OEM fasteners. Install front of Brake Rod (Bend goes to front of car) to OEM bracket using spring and hardware. Place (1)  $\frac{5}{16}$ " locknut on tip of rod after passing it through spring like original brake rod. Slide rear of rod through OEM brake equalizer. Place (1)  $\frac{5}{16}$ " Grade 8 Flat Washer , (1)  $\frac{5}{16}$ " Locknut on rear end of rod. Adjust brakes using installed Locknut. Brake pedal should have approximately 1" of free play.



TITLE: <b>RH080ETBOE INSTALLATION INSTRUCTIONS</b>		
DRAWN BY: R. HAERER	DATE: Jan 23, 2017	DWG NO. # 7667
SHEET: 5 of 14	SCALE: Not To Scale	

WIRING THE CAR



**STEP 13:**

Use the Wire Harness Kit, Part#6509 to stretch the O.E.M. wiring harness removed earlier. Run the wires on top the floor frame in the passenger side channel made by the floor frames. Position wires in OEM locations

Not all year models will use every wire. Match up wire colors with best matching wires provided and splice with butt connectors provided.

**IF YOU HAVE A BODY MOUNTED, FNR SWITCH:**

Stretch wiring and lay it in the floor between Front OEM Frame and new center sub floor. Remove old FNR Switch from Rear Body & save it & hardware for later Installation.

STEP 14



**STEP 14:**

Reinstall the batteries to the car. Secure the batteries down with all the factory bolts and tie downs. Hook up the batteries the same as they were before.

***\*Do Not Attach Main Power Cables To Batteries at this time.\****

STEP 16



**STEP 15:**

Reinstall and attach Accelerator wiring and replace front floor mat. Reattach rear of front Aluminum floor using (4) push pins.

**STEP 16:**

Place the rear body back onto the car. Secure the rear body down in bagwell using OEM fasteners.

Drill (3)- $\frac{3}{16}$ " Holes on the front lip of the rear body to sub floor. Secure with (3)- $\frac{1}{4}$ " x  $\frac{1}{4}$ " Pan Head Sheet Metal Screws.



TITLE:		
RH080ETBOE INSTALLATION INSTRUCTIONS		
DRAWN BY: R. HAERER	DATE: Jan 23, 2017	DWG NO.
SHEET: 6 of 14	SCALE: Not To Scale	# 7667



**STEP 17:**

Lay the smooth aluminum floor over the middle fram extension .  
The notch in the floor goes toward the rear of the car.  
Line up holes in front with holes in mid sub floor.



**STEP 17**

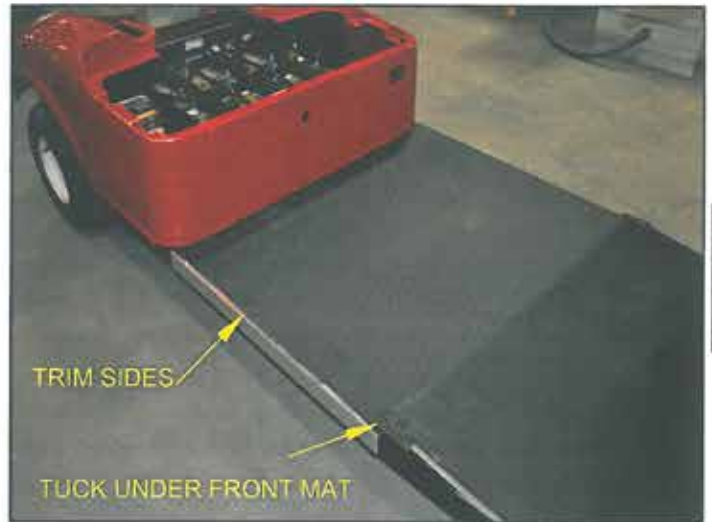
**STEP 18:**

Lay the middle floormat Part#6575 down on top of the floor.  
The square notch in the floormat goes up against the rear body  
of the car. Tuck the corners under the rear body.

At the front, tuck the new middle floormat under the factory  
front floormat.

Trim sides to fit .100 smooth Aluminum floor.

\*For Body Mounted FNR cut hole in floor mat to match  
flooring hole in Drivers side Only.



**STEP 18**

**INSTALLING THE SIDE TRIM**

**STEP 19:**

Place Front Side Trim (PART#7950) onto the car. Adjust the  
the trim so the 2 top holes line up with OEM side trim holes  
in the floor. Hold in place with ACG (Black) (4)- 1/4" x 1 1/2"  
Pan Head Bolts, (8)- 1/4" Flat washers, (4)- 1/4" Locknuts at  
Location #1.

( Do Not Secure at this time.)



**STEP 19**



TITLE:		
RH080ETBOE INSTALLATION INSTRUCTIONS		
DRAWN BY: R. HAERER	DATE: Jan 23, 2017	DWG NO. # 7667
SHEET: 7 of 14	SCALE: Not To Scale	

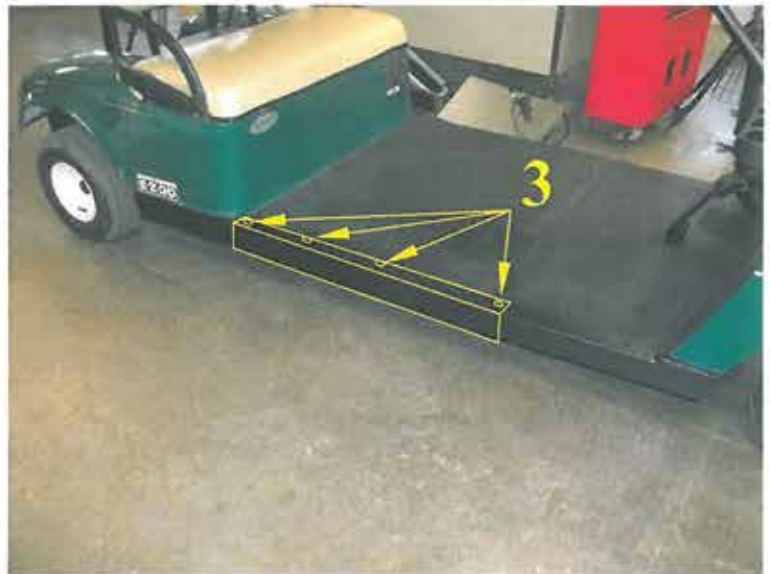
**STEP 20:**

Place Rear Side Trim section (PART#7951), onto the rear of car. Slide trim under bottom edge of body. Adjust rear section for best fit and Carefully Drill (4)-  $\frac{1}{8}$ " Pilot holes into both rear side frames at Location #2 using trim as a guide. Secure Rear Section to car using: (4)-  $\frac{1}{4}$ " x  $\frac{1}{4}$ " (ACG) Pan Head Sheet Metal Screws, (4)-  $\frac{1}{4}$ " Flat washers.



**STEP 21:**

Remove rear PPH Bolts from Front trim section. Place mid side trim section onto car lining up front hole of mid section with rear hole of front section, Replace the PPH Bolts and Locknuts into hole. Adjust rear of mid section on car for best fit. Drill (6)-  $\frac{1}{8}$ " Pilot holes using top trim holes as guide. Secure trim to car using: (6)-  $\frac{1}{4}$ " x  $\frac{1}{4}$ " (ACG) Pan Head Sheet Metal Screws, (6)-  $\frac{1}{4}$ " Flat washers. at Location #3.



**STEP 22:**

Tighten All bolts & screws holding Side trim in place. In the front side of trim at (Location 4) drill (2)  $\frac{9}{32}$ " holes using trim as guide. Secure (Location 4) using (2)-  $\frac{1}{4}$ " x  $1\frac{1}{2}$ " PPH bolts, (4)-  $\frac{1}{4}$ " flat washers. (2)-  $\frac{1}{4}$ " locknut.



TITLE: <b>RH080ETBOE INSTALLATION INSTRUCTIONS</b>		
DRAWN BY: R. HAERER	DATE: Jan 23, 2017	DWG NO. # 7667
SHEET: 8 of 14	SCALE: Not To Scale	





**STEP 23:**

Place the floor mat threshold #7992 over the seam between the front and rear floor mats. Center the threshold between the new side trim pieces. Using the holes in the threshold as a guide drill 6- $\frac{1}{8}$ " pilot holes into flooring. Secure threshold to the floor Using: 6 - ACG  $\frac{1}{4}$ "x $1\frac{1}{4}$ " PPH Sheet Metal Screws & 6 - $\frac{1}{4}$ " flat washers.



**STEP 24:**

Bolt together Mid POD. Secure the seat hat rack #7983 to each seat support post #7993 at Location "H" Using: 4  $\frac{5}{16}$ "x $1\frac{1}{4}$ " Truss Head Bolts (ACG) 4-  $\frac{5}{16}$ " Locknuts.



**STEP 25:**

Secure the seat back grab handle #7986 to each seat support post #7993. Place handle on the inside of the side support post. Attach through grab handle Angle and side post at Location "J" (Bottom hole Drivers side, Top hole Passengers side) Using: 2 - ACG  $\frac{1}{4}$ "x $1\frac{1}{2}$ " PPH bolts & 2 - $\frac{1}{4}$ " Locknuts. Ensure pan head is on front side of support post. Place new TXT seat back (Not provided) onto support posts and secure through remaining 2 holes at Location "K" Using: 2-  $\frac{1}{4}$ " x2" Hex Head Bolts (ACG) & 2- $\frac{1}{4}$ " Flat washers.



TITLE:		
RH080ETBOE INSTALLATION INSTRUCTIONS		
DRAWN BY: R. HAERER	DATE: Jan 23, 2017	DWG NO. # 7667
SHEET: 9 of 14	SCALE: Not To Scale	

**STEP 26:**

Place the Pod assembly onto the car at this time. Center the Pod on the cars floor and set the front of the Pods floor mount at 28" from the front edge of the rear body molding. Drill (4)-  $\frac{1}{32}$ " holes through the floormat, floor and sub floor frame using the holes in the Pods floor mounts as guides.

Attach Pod to the floor using Grade 8 bolts and using (2)- Sub Floor Supports (Part#7885) under the sub floor for additional strength. Secure at the locations drilled with following:

(4)-  $\frac{5}{16}$ " x  $1\frac{1}{2}$ " hex head bolts, (8)-  $\frac{5}{16}$ " flat washers, (4)-  $\frac{5}{16}$ " locknuts, (2)- Sub Floor Supports (#7885).



TITLE:		
RH080ETBOE INSTALLATION INSTRUCTIONS		
DRAWN BY:	DATE:	DWG NO.
R. HAERER	Jan 23, 2017	# 7667
SHEET:	SCALE:	
10 of 14	Not To Scale	





**STEP 27:** Place the front pod cover (Part#7989), up against the front of the seat support side post (Part #7993). Drill (4)-  $\frac{1}{8}$ " holes into the tube of the seat support side post using the holes in the front pod cover as guides. Secure the cover to the pod with: (4)-  $\frac{1}{4}$ " x  $\frac{1}{4}$ " Pan Head Sheet Metal Screws, (4)-  $\frac{1}{4}$ " flat washers.

#7989

#7894



**STEP 28:** Place the pod side covers (Part#7894), up against the outside of the seat support side post (Part #7993). Drill (5)-  $\frac{1}{8}$ " holes into the tube of the seat support side post using the holes in the pod side covers as guides. Secure the side cover to the pod with: (10)-  $\frac{1}{4}$ " x  $\frac{1}{4}$ " (ACG) Pan Head Sheet Metal Screws, (10)-  $\frac{1}{4}$ " flatwashers.



**STEP 29:** Attaching a seat bottom to the Pod. If your seat bottom has the hip restraints already on the seat, remove the hip restraints. Set the seat bottom onto the middle pod frame. Place the hip restraints under the outside flatbars on the seat hat rack. Secure the hip restraints, flatbar and seat bottom together with the bolts for the hip restraints.

**Older style TXT** Use 8- $\frac{1}{4}$ "x $\frac{1}{4}$ " Hex Head Bolts, 8- $\frac{1}{4}$ " Flat Washers.

**Newer style TXT** Use 8-10mmx40mmx1.5 Bolts, 8- $\frac{5}{16}$ " Flat Washers.



TITLE:

## RH080ETBOE INSTALLATION INSTRUCTIONS

DRAWN BY:

R. HAERER

DATE:

Jan 23, 2017

DWG NO.

# 7667

SHEET:

11 of 14

SCALE:

Not To Scale

**STEP 30:**

At the dash reinstall the Ignition switch , FNR, back up buzzer wiring. Reinstall switch panel using OEM push pins or (2)- $\frac{1}{4}$ "x $\frac{1}{4}$ " Phillips Pan Head Sheet Metal Screws Black at (Location "O").



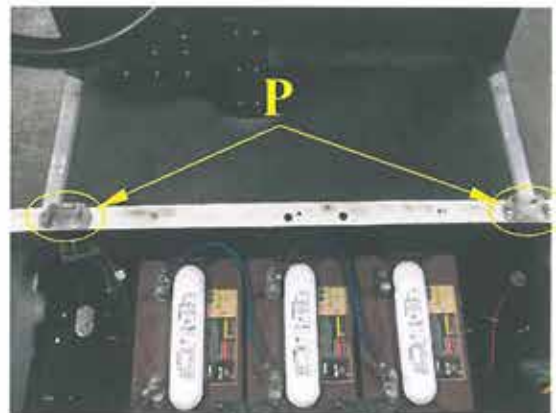
**STEP 30**

**STEP 31:**

Drill holes in seat hinges out to  $\frac{1}{4}$ ", drill holes in frame where hinges attach out to  $\frac{3}{16}$ ". Attach seat hinges through body into frame using (4)  $\frac{1}{4}$ "x $\frac{1}{4}$ " Pan head sheet metal screws at (Location "P"),

Reinstall the OEM rear seat bottom and rear seat back basket assembly to the car.

Or install your new M&M Rear Seat Kit or Box to the car.



**STEP 31**

**STEP 32:**

Clean up all loose wires or cables hanging down. Zip Tie them up close to frame away from moving parts. Re Attach main power and ground cables to batteries.



TITLE:		
RH080ETBOE INSTALLATION INSTRUCTIONS		
DRAWN BY: R. HAERER	DATE: Jan 23, 2017	DWG NO. # 7667
SHEET: 12 of 14	SCALE: Not To Scale	



**REDHAWK**  
**4-PASSENGER STRETCH BOLT-ON**  
**Part# RH080ETBOE**  
**Electric - E-Z-GO - TXT**

**Bolt Kit**

SS

- 4 -  $\frac{5}{16}$ " x 1" hex head bolts -ss
- 16 -  $\frac{5}{16}$ " flat washers -ss
- 6 -  $\frac{5}{16}$ " locknuts -ss
- 9 -  $\frac{1}{4}$ "x $\frac{1}{4}$ " pan head sheet metal screws -ss
- 12 -  $\frac{1}{4}$ " flat washers -ss
- 8 - 10mm x40mm x1.5 hex head bolts -ss
- 8 -  $\frac{1}{4}$ "x $\frac{1}{4}$ " hex head bolts -ss

Grade 8

- 4 -  $\frac{5}{16}$ " x 3" hex head bolts -Grade 8
- 6 -  $\frac{5}{16}$ " x 2 $\frac{1}{2}$ " hex head bolts -Grade 8
- 4 -  $\frac{5}{16}$ "x 1 $\frac{1}{2}$ " hex head bolts -Grade 8
- 31 -  $\frac{5}{16}$ " flat washers -Grade 8
- 14 -  $\frac{5}{16}$ " locknuts -Grade 8
- 6 -  $\frac{3}{8}$ " x 2" hex head bolts -Grade 8
- 12 -  $\frac{3}{8}$ " flat washers -Grade 8
- 6 -  $\frac{3}{8}$ " locknuts -Grade 8

ACG

- 2 -  $\frac{1}{4}$ "x 2" hex head bolts -acg
- 8 -  $\frac{1}{4}$ " x 1 $\frac{1}{2}$ " pan head bolts -acg
- 32 -  $\frac{1}{4}$ " x  $\frac{1}{4}$ " pan head sheet metal screws -acg
- 44 -  $\frac{1}{4}$ " flat washers -acg
- 8 -  $\frac{1}{4}$ " locknuts -acg
- 4 -  $\frac{5}{16}$ " x 1 $\frac{3}{4}$ " truss head bolts -acg
- 4 -  $\frac{5}{16}$ " locknuts -acg
- 4 - Push Pins



TITLE: RH080ETBOE INSTALLATION INSTRUCTIONS		
DRAWN BY: R. HAERER	DATE: Jan 23, 2017	DWG NO. # 7667
SHEET: 13 of 14	SCALE: Not To Scale	

**REDHAWK**  
**4-PASSENGER STRETCH BOLT-ON**  
**Part# RH080ETBOE**  
**Electric - E-Z-GO - TXT**

**Box Kit**

- 1- Bolt Kit
- 1- Instructions
- 1- Brake Rod (PART#6525)
- 1- Wireharness kit (PART#6509)
- 1- Floormat (PART#6575)
- 1- Floor (PART#6576)
- 1- Mid Sub Floor (PART#7487)
- 2- Outer Sub Floors (PART#6574) (L&R)
- 2- Steel Frame Rails (PARTS#7488 & #7502)
- 2- Front Side Trim Section (PART#7950) (L&R)
- 2- Rear Side Trim Section (PART#7951) (L&R)
- 2- Mid Side Trim Section (PART#7952) (L&R)
- 2- Sub Floor Supports (PART#7885)
- 1- Threshold (PART#7992)
- 2- Seat Support Posts (PART#7993)
- 1- Seat Hat Rack (PART#7983)
- 2- Side Covers (PART#7894)
- 1- Grab Handle (PART#7986)
- 1- Front Panel (PART#7989)



TITLE:		
RH080ETBOE INSTALLATION INSTRUCTIONS		
DRAWN BY:	DATE:	DWG NO.
R. HAERER	Jan 23, 2017	# 7667
SHEET:	SCALE:	
14 of 14	Not To Scale	