



LGT-169 High/Low Beam Wire Harness w/ Push Button Control Installation Instructions

Caution: Please read through the safety information and instructions before installing this product. Remove the system's positive and negative connections from the battery or battery pack before starting this project. This kit is designed for 12-24V operation only. Operating this kit a higher voltage will void any and all warranty.

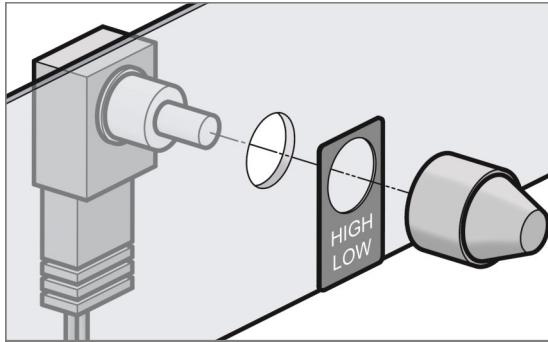
Before You Start

1. If the vehicle is ON, turn the key to the OFF position.
2. Place the TOW/RUN switch in the TOW position (if equipped).
3. Remove the system's positive and negative connections from the battery or battery pack.
4. Engage the parking brake.



Installation Instructions

1. Find a convenient location on the dash to mount the push button.
2. Mark the center of the mounting location with a marking device.
3. Drill a 3/8" hole at the marked location. Test fit the push button. If it fits, remove any burrs with a small file.
4. Mount the push button as shown.
5. Follow the wiring diagram on the reverse side of this sheet to connect the LGT-169 harness to the push / pull switch and to the RHOX LED high / low beam enabled headlights.



NOTE: If headlight only has (1) high / low beam connector, only connect one of the connectors from the LGT-169 to the headlight.

This completes the installation of your
RHOX High / Low Beam Wire Harness. Please enjoy safely!



LGT-169 High/Low Beam Wire Harness w/ Push Button Control Installation Instructions

Caution: Please read through the safety information and instructions before installing this product. Remove the system's positive and negative connections from the battery or battery pack before starting this project. This kit is designed for 12-24V operation only. Operating this kit a higher voltage will void any and all warranty.

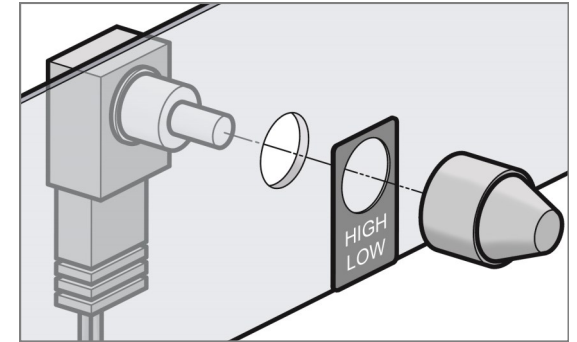
Before You Start

1. If the vehicle is ON, turn the key to the OFF position.
2. Place the TOW/RUN switch in the TOW position (if equipped).
3. Remove the system's positive and negative connections from the battery or battery pack.
4. Engage the parking brake.



Installation Instructions

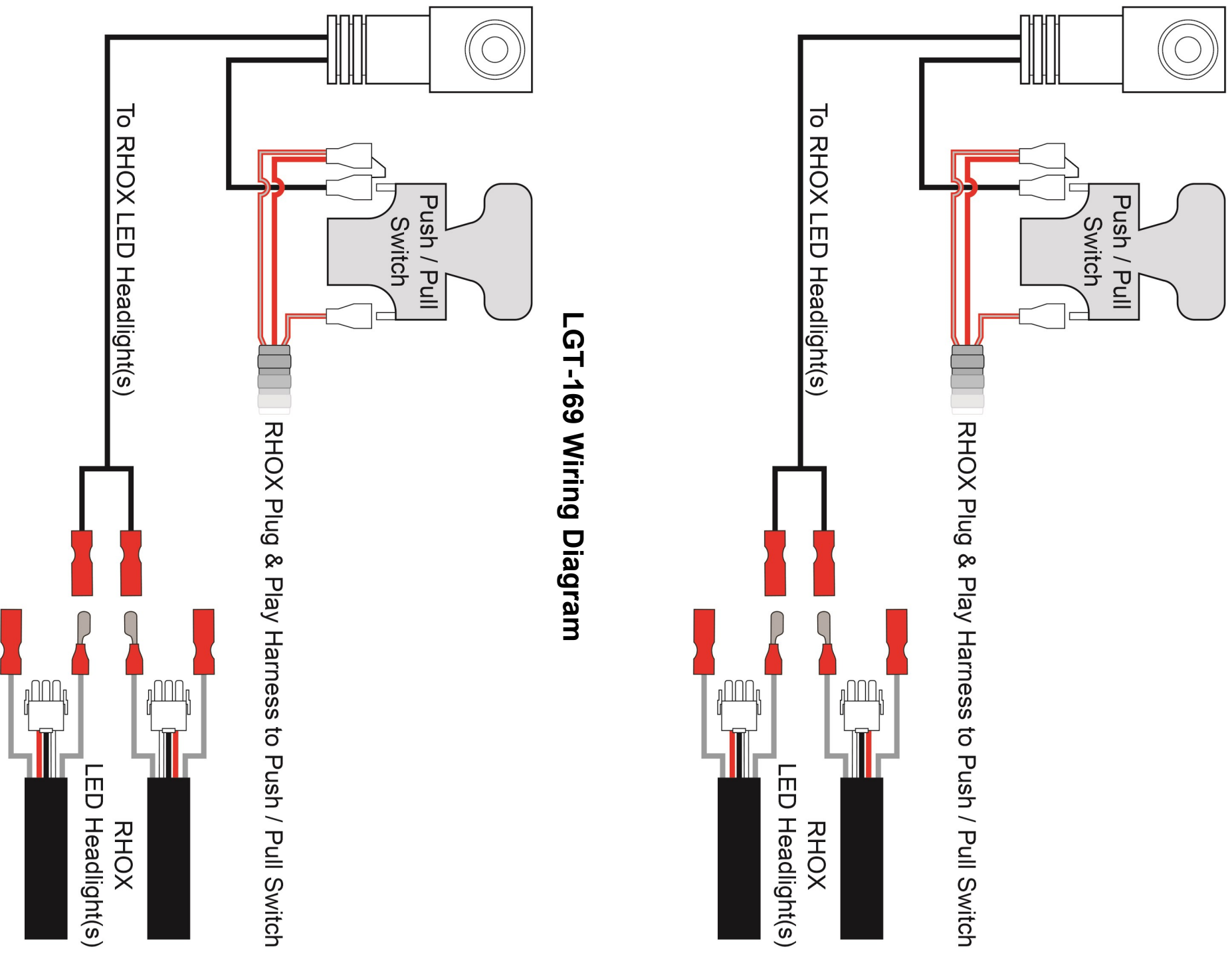
1. Find a convenient location on the dash to mount the push button.
2. Mark the center of the mounting location with a marking device.
3. Drill a 3/8" hole at the marked location. Test fit the push button. If it fits, remove any burrs with a small file.
4. Mount the push button as shown.
5. Follow the wiring diagram on the reverse side of this sheet to connect the LGT-169 harness to the push / pull switch and to the RHOX LED high / low beam enabled headlights.



NOTE: If headlight only has (1) high / low beam connector, only connect one of the connectors from the LGT-169 to the headlight.

This completes the installation of your
RHOX High / Low Beam Wire Harness. Please enjoy safely!

LGT-169 Wiring Diagram



LGT-169 Wiring Diagram

