



# RAD-500 Universal Audio Center Installation Instructions

## Specifications

Input Voltage: 12 Volt DC

**Caution:** Please read through the safety information and instructions before installing this product. Look behind each drill or cut location BEFORE CUTTING OR DRILLING. Installer is responsible for damage (i.e. drilling/cutting into a wire harness, battery, fuel tank etc.). Remove the system's positive and negative connections from the battery or battery pack before starting this project. This kit is designed for 12V DC operation only. Operating this kit a higher voltage will void any and all warranty.

## Before You Start

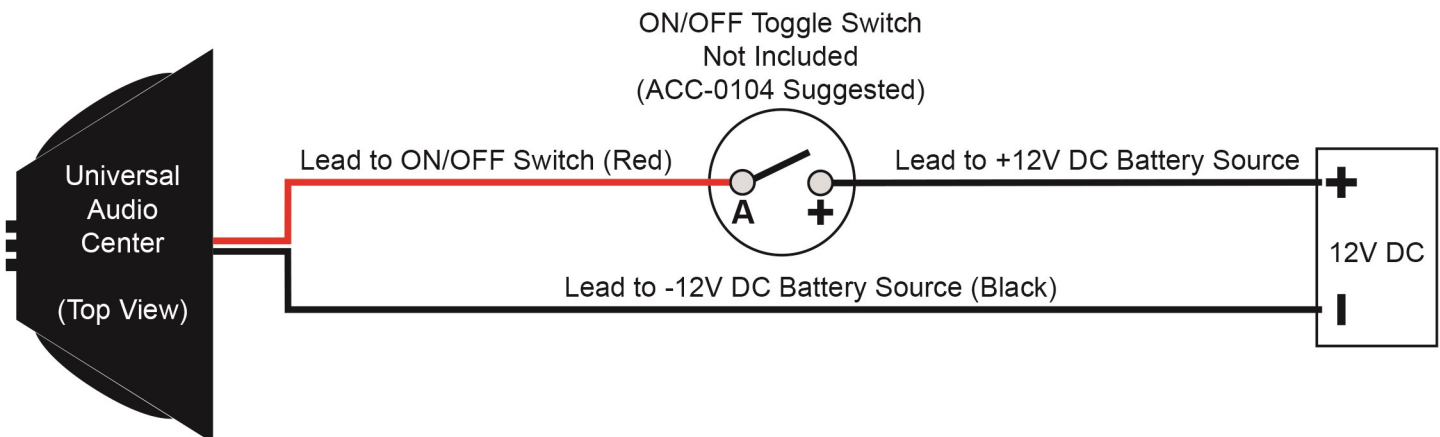
1. Turn the key to the OFF position.
2. Place the TOW/RUN switch in TOW (if equipped).
3. Remove the system's positive and negative connections from the battery or battery pack.
4. Engage the parking brake.

## Installation Instructions

1. Identify a clean and dry location on the vehicle to mount the audio center. The most common installation area on a golf cart is between the front and rear seats.
2. Clean the surfaces of the installation area and the bottom of the audio center with rubbing alcohol. Mount the audio center using the supplied Velcro strips.
3. Connect your audio center to the battery pack following the wiring diagram below.

**CAUTION:** The audio center is designed to operate at 12V DC. Operating the audio center at a voltage greater than 12V DC will destroy the audio center and void any and all warranty.

4. Verify all connections are tight and secure. Reconnect the vehicle's positive (+) and negative (-) connections to the battery or battery pack. Place the TOW/RUN switch in RUN. Turn the key to the ON position.
5. To establish a Bluetooth connection, power the audio center ON with the ON/OFF switch. Once the audio center indicates the power is ON, search for the audio center with a Bluetooth enabled device. The audio center will appear as "SPK- \_ \_ \_ \_" (the four digit number will vary depending on the device). Connect to the audio center following the prompts on the Bluetooth enabled device.



This completes the installation of your Universal Audio Center. Please enjoy safely!  
Scan QR code or use the link to the right to view the installation video. <https://vimeo.com/user39935056>

