



# RAD-914 Speaker Pod Kit

## E-Z-Go RXV 08+

### Installation Instructions

**Caution:** Please read through the safety information and instructions before installing this product. Look behind each drill location **BEFORE DRILLING**. Installer is responsible for damage. Safety glasses should be worn during installation.

#### Specifications

Fits Speakers: 5.25"-6"

Speakers sold separately.

#### Tools Needed for Installation

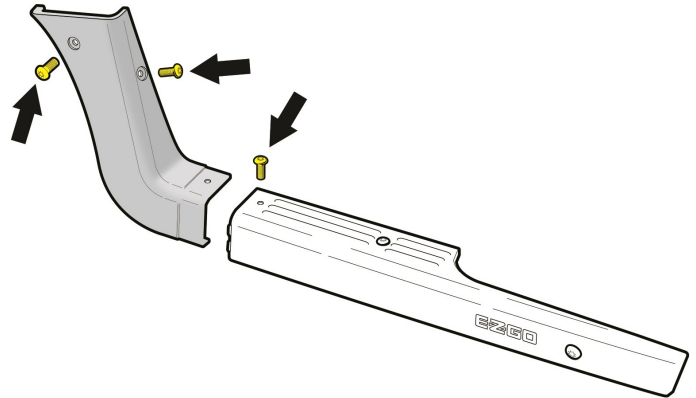
- T-47 Torx Bit
- Phillips Screwdriver
- Drill and Drill Bits: 1/16" and 3/16"
- Rivet Gun (Optional)

#### Before You Start

1. Turn the key to the OFF position.
2. Place the TOW/RUN switch in TOW (if equipped).
3. Engage the parking brake.

#### Installation Instructions

1. Remove the (3) Torx Screws on the driver side upper rocker panel.
2. Place the driver side speaker pod firmly into place as shown.
3. Using the speaker pod as a template, mark the mounting hole locations onto the floor and instrument panel.
4. Use a 1/16" drill bit to drill pilot holes at the marked locations for the included mounting screws. Do not drill through the rocker panel mounting hole (blue arrow below).



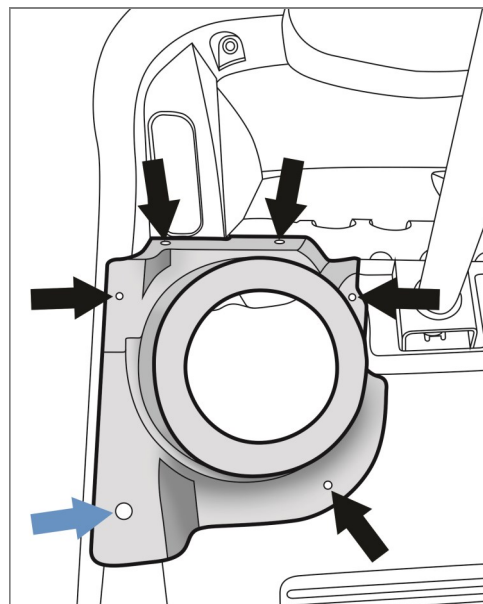
**NOTE:** RIV-009A Rivets (not included) can be used for the holes in the floor if desired. If using these rivets, drill a 3/16" hole through the marked locations on the floor.

5. Fasten the speaker pod to the cart using the included Pan Head Screws (black arrows below). Do not over tighten.
6. Repeat steps 1-5 for the passenger side speaker pod.
7. Reinstall the upper rocker panels using the Torx Screws that were removed in Step 1.

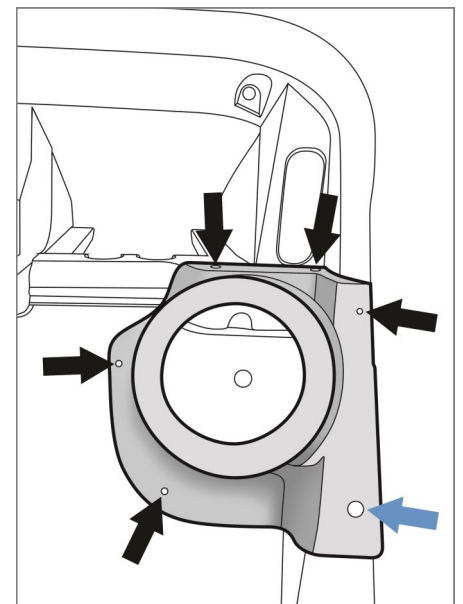
This completes the installation of your Speaker Pod Kit!  
Please enjoy safely!

Scan QR code or use the link below to view the installation video.

<https://vimeo.com/user39935056>



(Driver Side)



(Passenger Side)