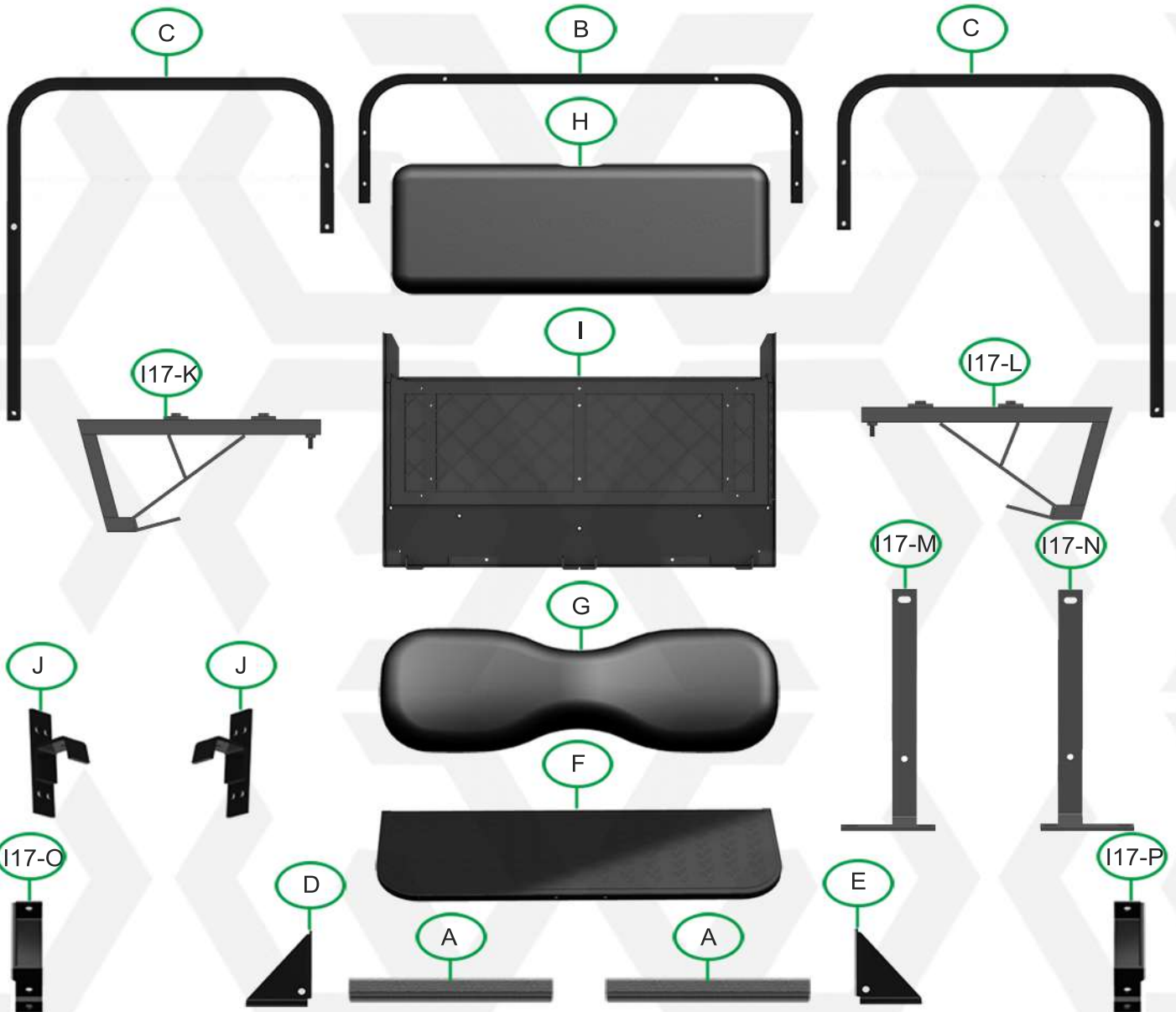


MODZ[®] FLIP⁴

YAMAHA DRIVE2

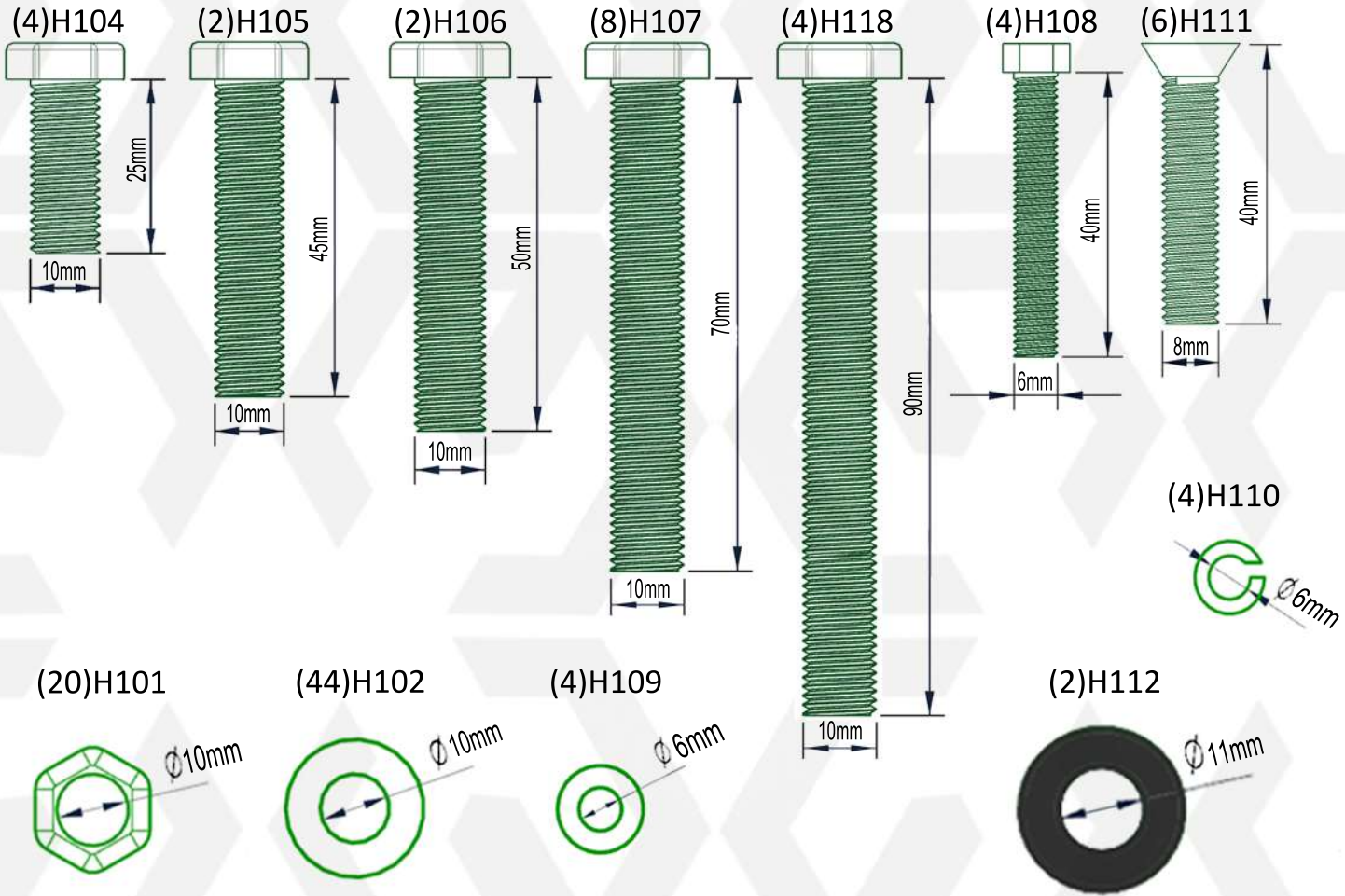
   CartModz.com/Flip4  844-MODZ-USA



HARDWARE:

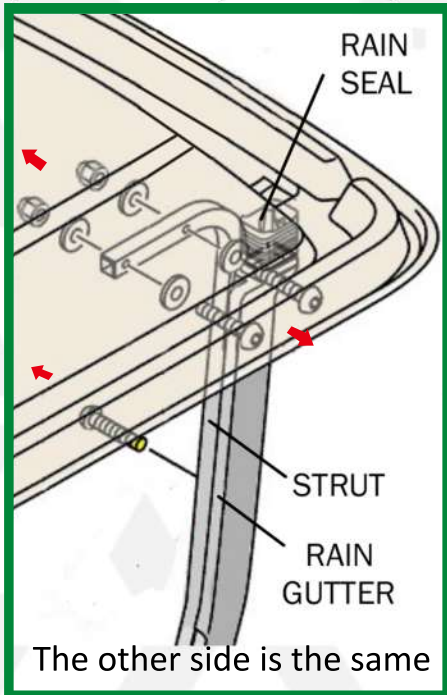
Shown to scale

Unit: mm



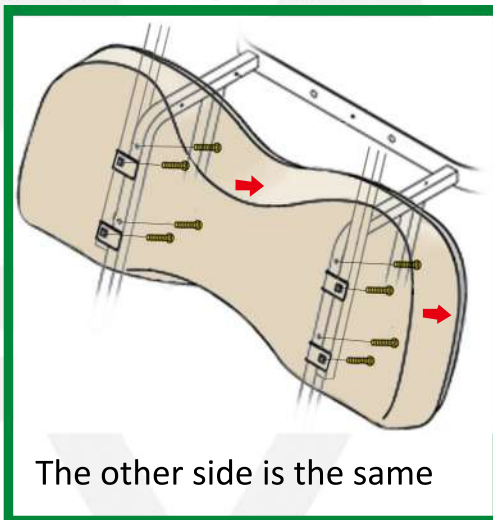
STEP 1

Remove top and rain gutter.
(Retain factory hardware).



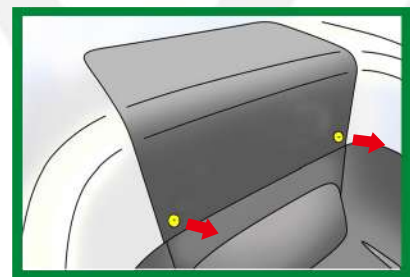
STEP 2

Remove rear struts and front seat back cushion while supporting top.
(Retain factory hardware)



STEP 3

Remove access panel.
(Retain factory hardware)

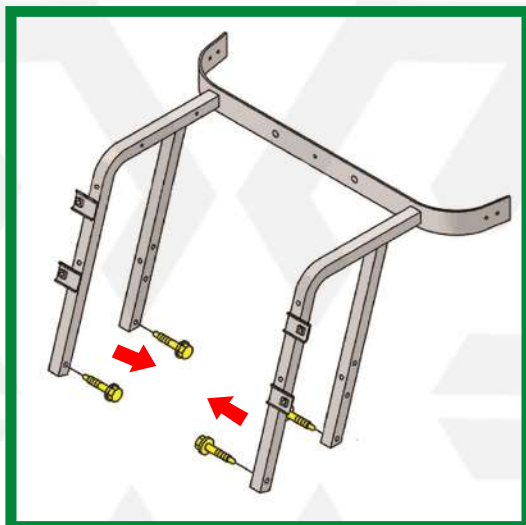




STEP 4

Remove seat back support and bag attachment assembly.

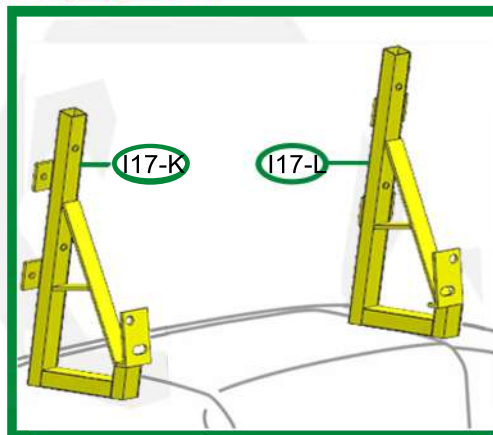
Retain factory hardware.



STEP 5

Install the new front seat back support brackets using the original hardware.

Fully tighten.



STEP 6

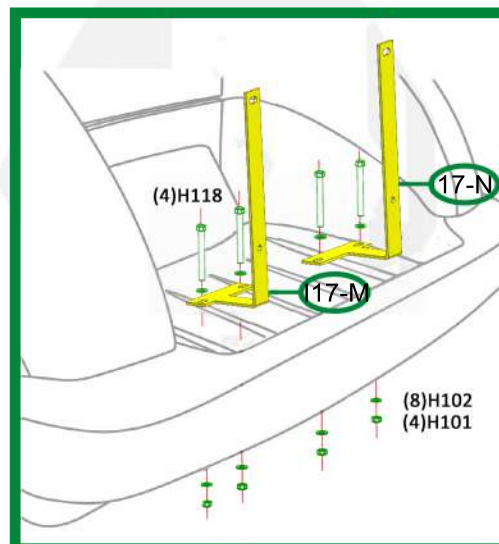
Install bagwell brackets.

Remove the (2) factory bolts in the bagwell area. Use a 3/8" drill bit to open up the (2) holes that the hardware occupied.

Drill completely through the frame.

Hand tighten only.

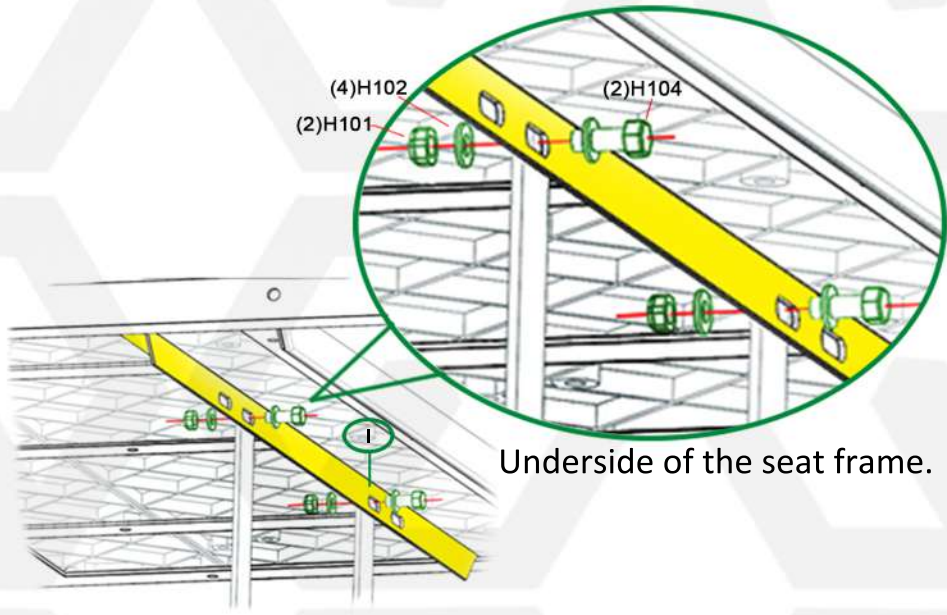
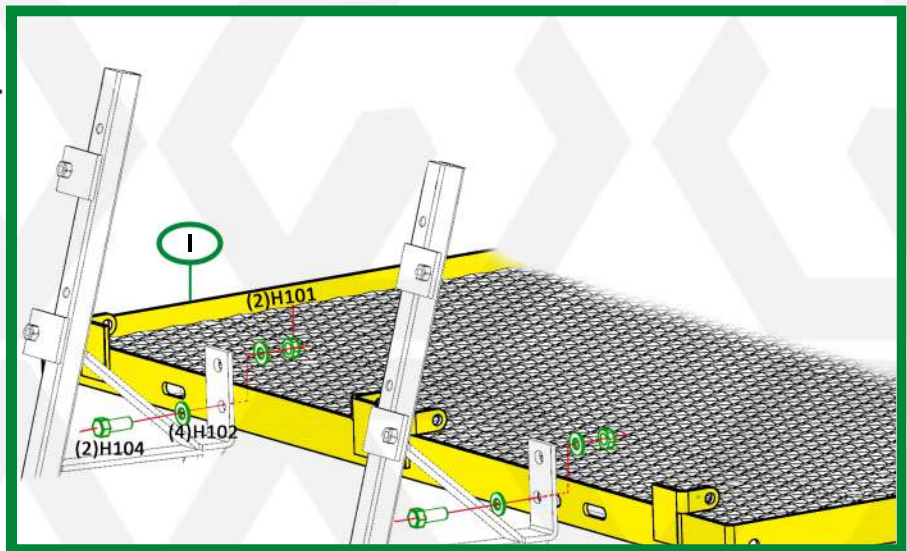
Leave loose.



STEP 7

Install seat frame with plastic board.

Hand tighten only.

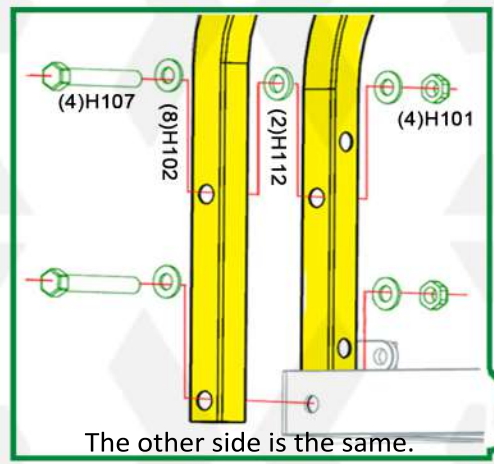


Underside of the seat frame.

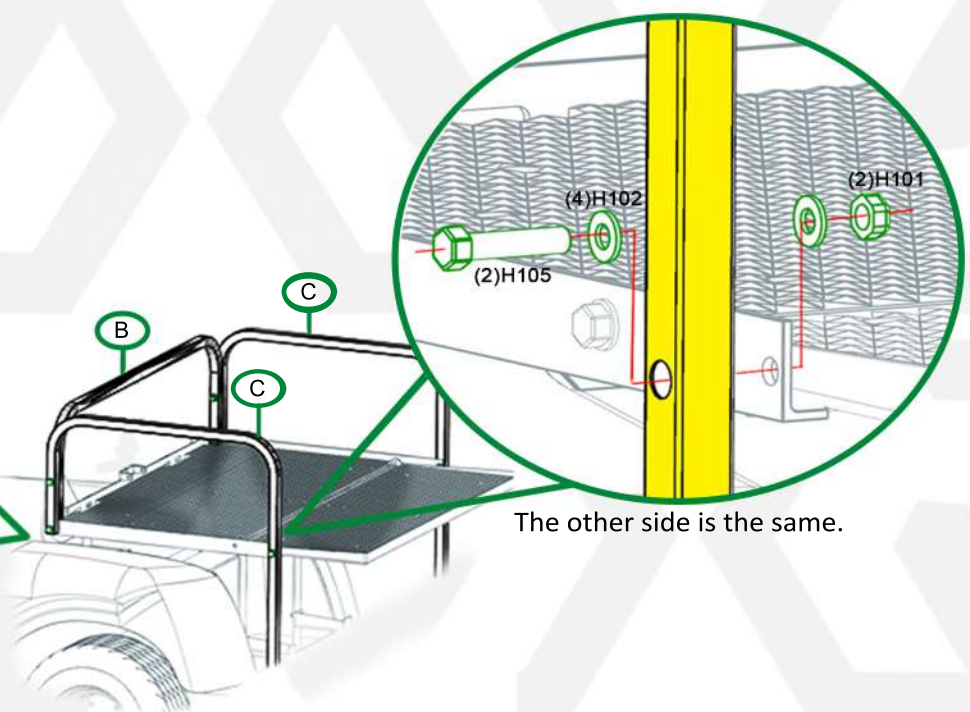
STEP 8

Install support brackets.

Hand tighten only.



The other side is the same.

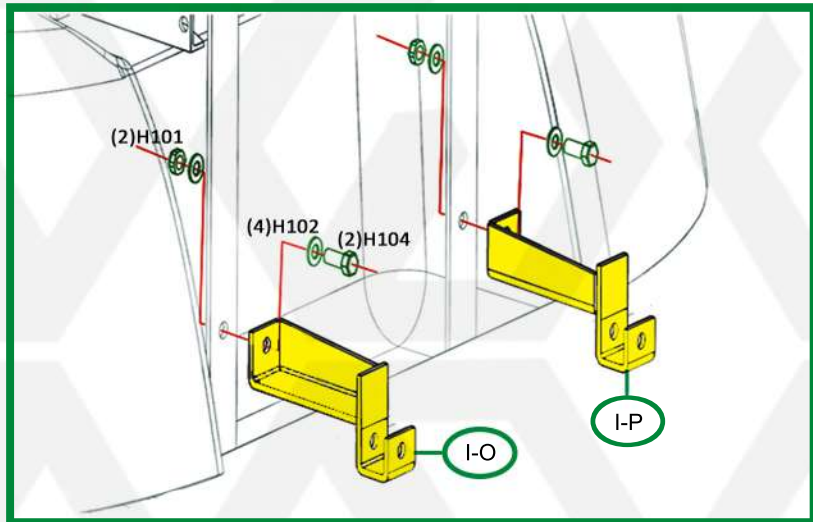


The other side is the same.

STEP 9

Install footrest support brackets.

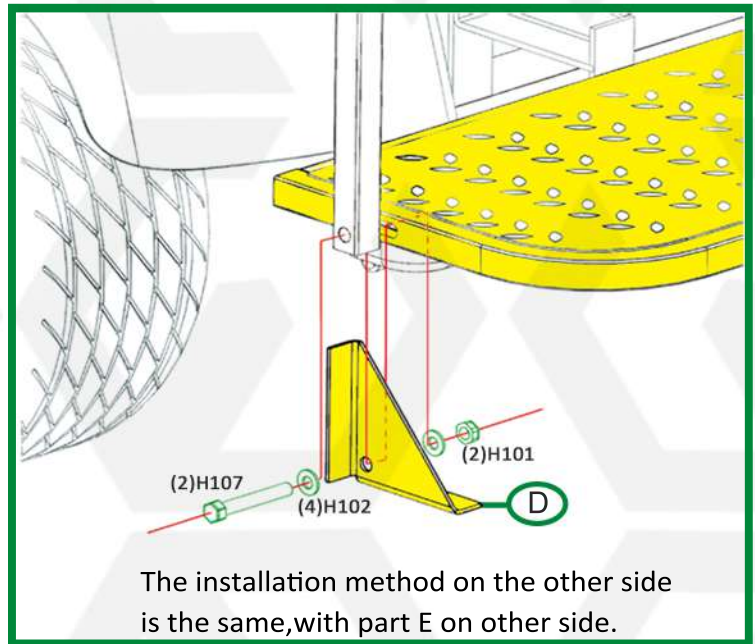
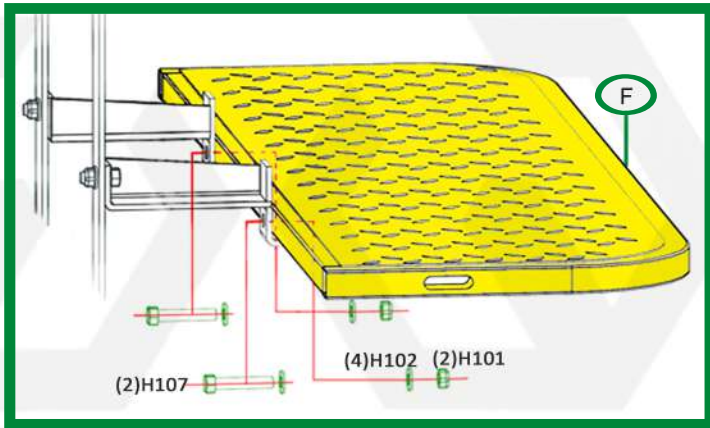
Hand tighten only.



STEP 10

Install footrest brackets and footrest.

Hand tighten only.



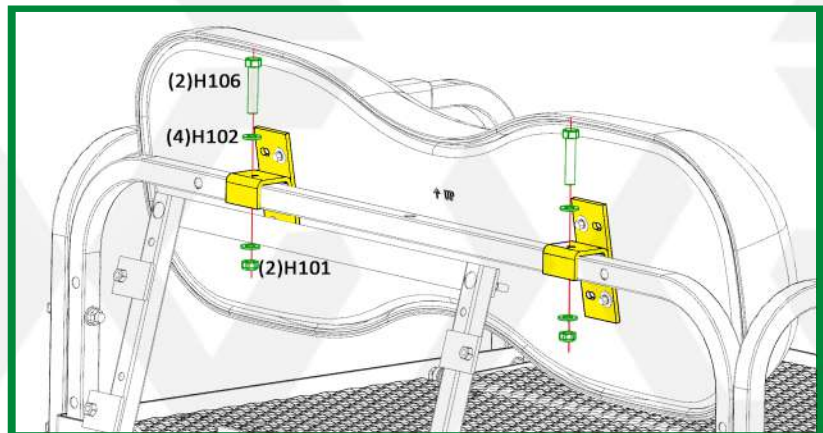
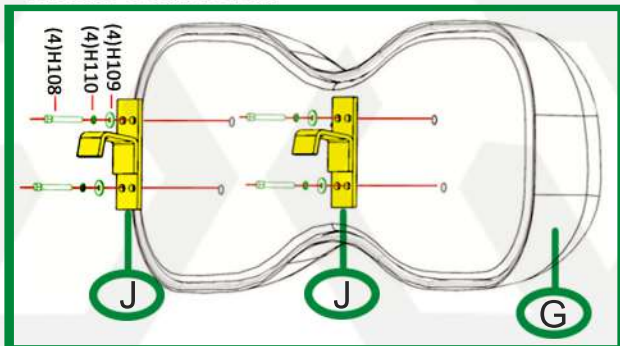
STEP 11

Reinstall the front seat back using original hardware according to the disassembly method.

Fully Tighten.

STEP 12

Install seat back.



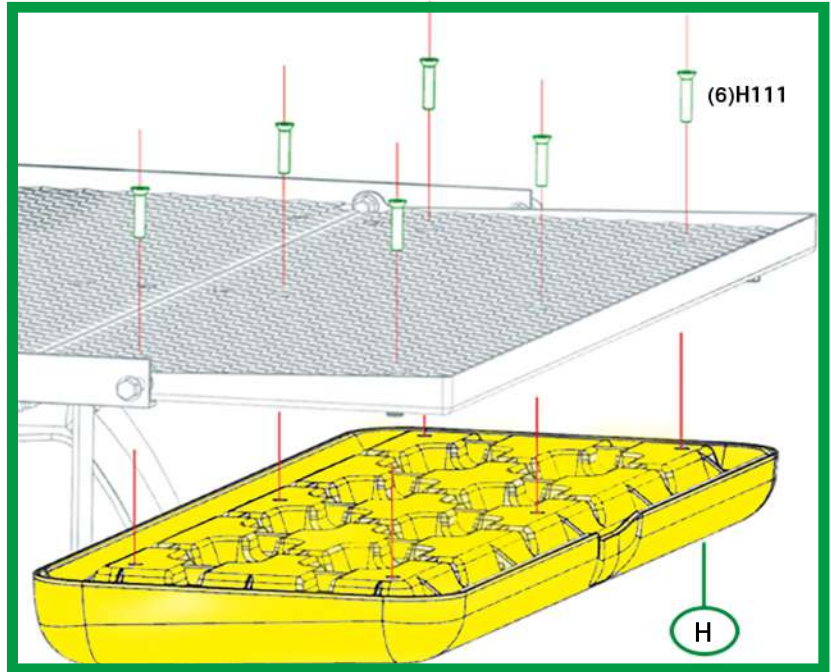


STEP 13

Install seat cushion.

Caution: Use hand screw driver and
Install screws loosely prior to tightening.

(6)H113 are optional hardware when
install.



STEP 14

Reinstall rear strut and rain gutter using original hardware according to the disassembly
method as in Step 1.

STEP 15

Reinstall the top using original hardware according to the disassembly method as in Step 1.

STEP 16

Install optional padded armrest covers (part A).

STEP 17

Tighten all hardware and enjoy!

